

For Product Step File or 3D Model Send a Request Mail To info@nrack.com



Photo View



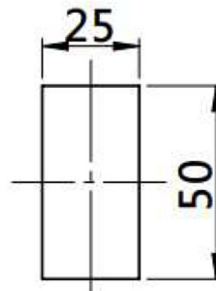
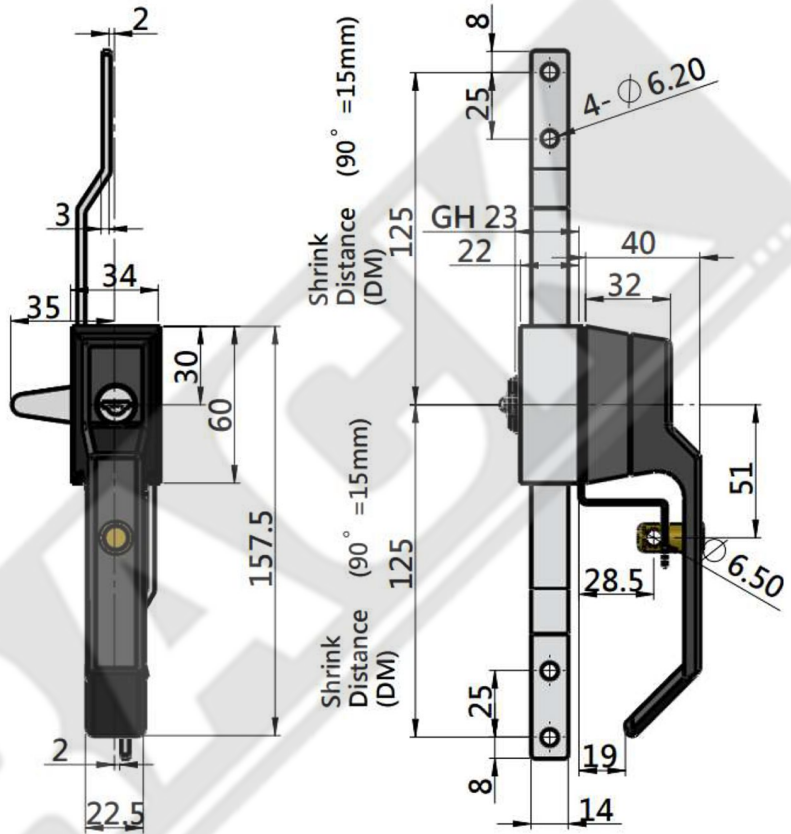
K333



3D Rendered View

MS 3005Z-1-1G

- Material: Zinc alloy body, handle, A3 cam, Nickel plating rod, Brass shaft
- Finish: Black powder coated
- Function: 90° rotation of the handle drive the gear box to lock and unlock.
- Panel thickness: Without Pad: 1-4mm
- With Pad: 1-2mm



CUT OUT